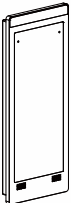


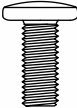


DH-T98 Series Quick Guide

1 | Preparation

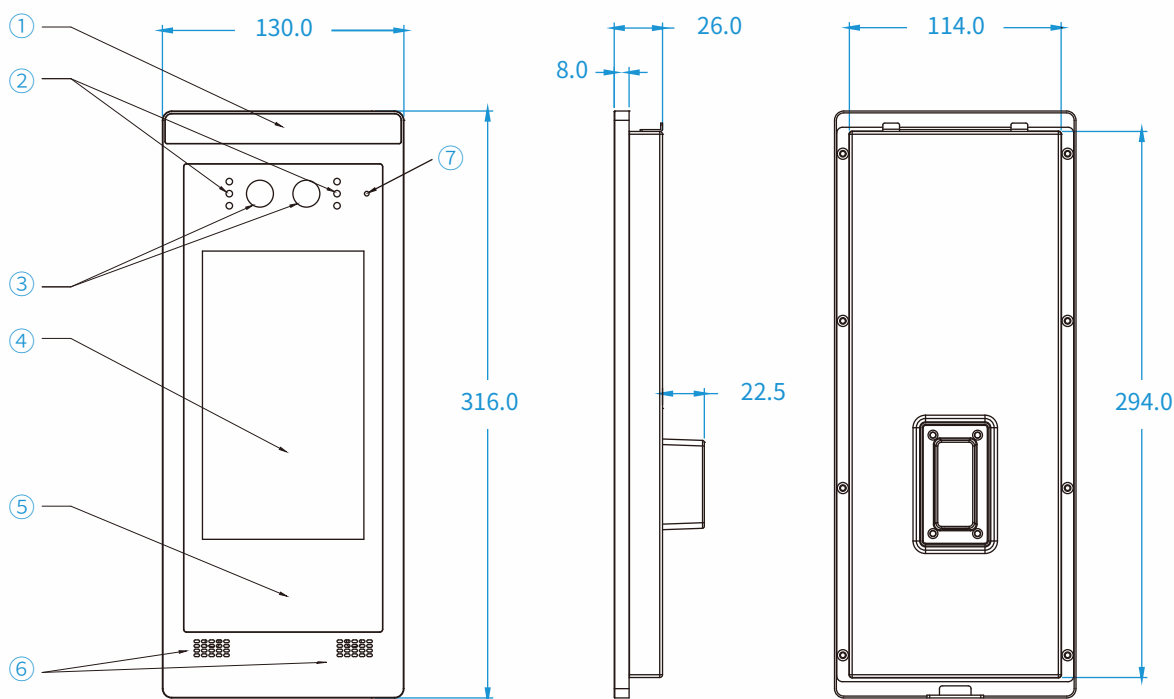
PREPARATION

Before the installation of the device, please check you have the following items on hand.

<p>DH-T98</p>  <p>×1</p>	<p>Waterproof cover</p>  <p>×1</p>	<p>Screw R3×6</p>  <p>×6</p>	<p>Screw M4×15</p>  <p>×6</p>
---	---	---	--

2 | Product Overview

PRODUCT OVERVIEW



- | | | | |
|-------------------|---------------------------|---------------|-------|
| ① White light LED | ③ RGB and Infrared camera | ⑤ Card Reader | ⑦ Mic |
| ② Infrared LED | ④ Touch Screen | ⑥ Loudspeaker | |

DH-T98 Series Quick Guide

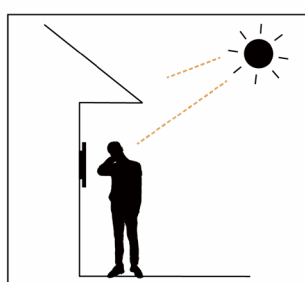
3 | Installation Environment

INSTALLATION ENVIRONMENT

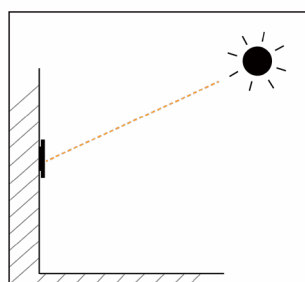
The device can be installed in both indoor and outdoor environment.

Outdoor installation: Avoid to exposing the device to direct sunlight, which will cause damage to device and components due to high temperature.

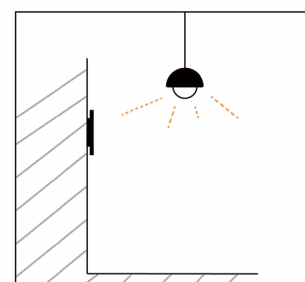
Indoor installation: The device should be installed on somewhere 2 meters (6 feet) away from light or 3 meters (9 feet) away from window/door.



✗ Backlight



✗ Direct sunlight



✗ Close to light

4 | Installation

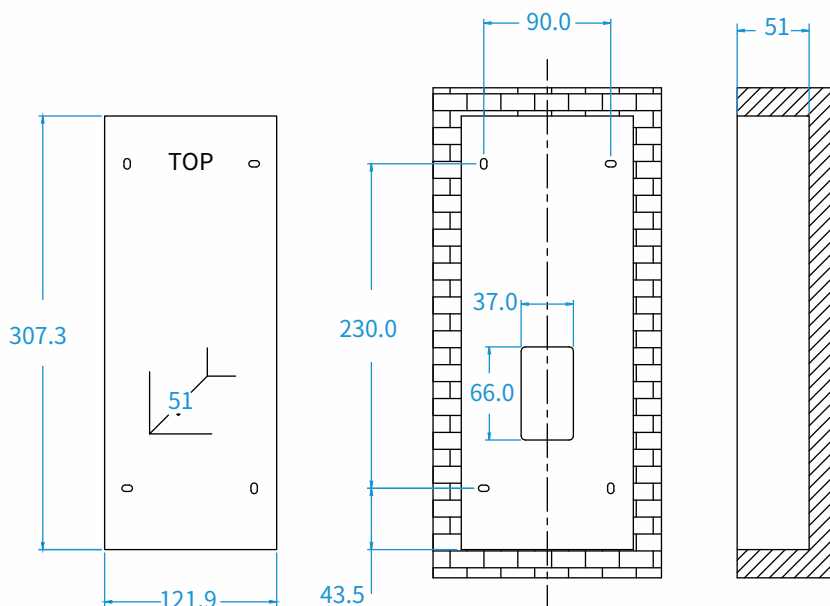
INSTALLATION

• Flush Mounting

STEP 1

A. Dig out a hole on wall. Hole dimension(mm): 307.3(H) × 121.9(W) × 51(D)

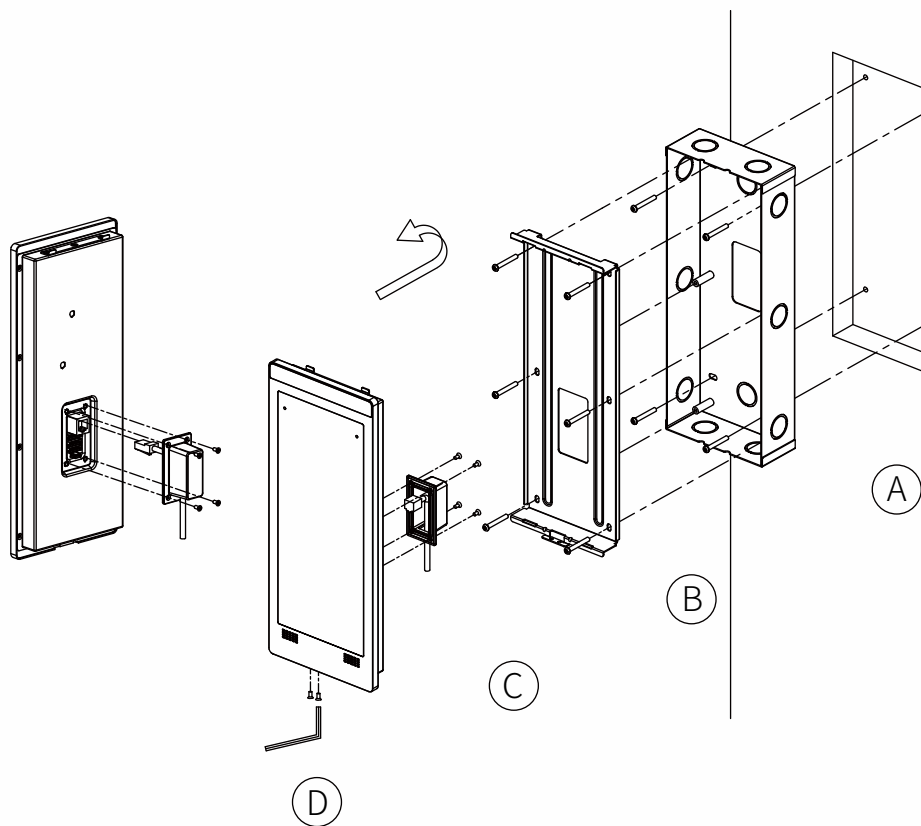
B. Installation Height: Place the camera 1.5m (around 4ft 11in) away from the ground



DH-T98 Series Quick Guide

STEP 2

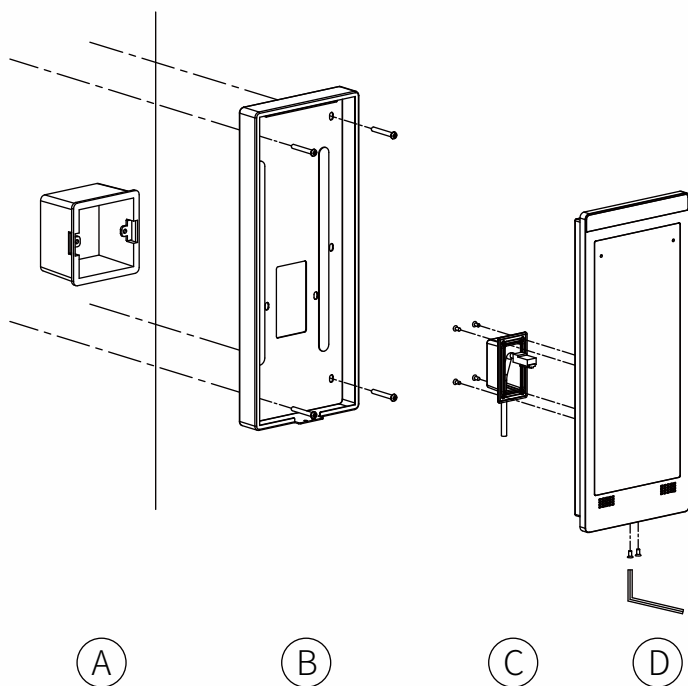
- A. Put the embedded box into the dug hole and lock it with six M4×15 screws. Then fill the gap between wall and embedded box with cement or non-corrosive adhesive.
- B. Attach the adjusting bracket into the embedded box and lock it with six M4×15 screws.
- C. Pull the cables through the embedded box, bracket and the waterproof cover, then connect them to corresponding interfaces of device. Lock the waterproof cover on device with four R3×6 screws.
- D. Hook the top of device with bracket and adjust it until device sides run in alignment with the vertical edges of wall, then lock the device from bottom with two R3×6 screws.



• Wall Mounting

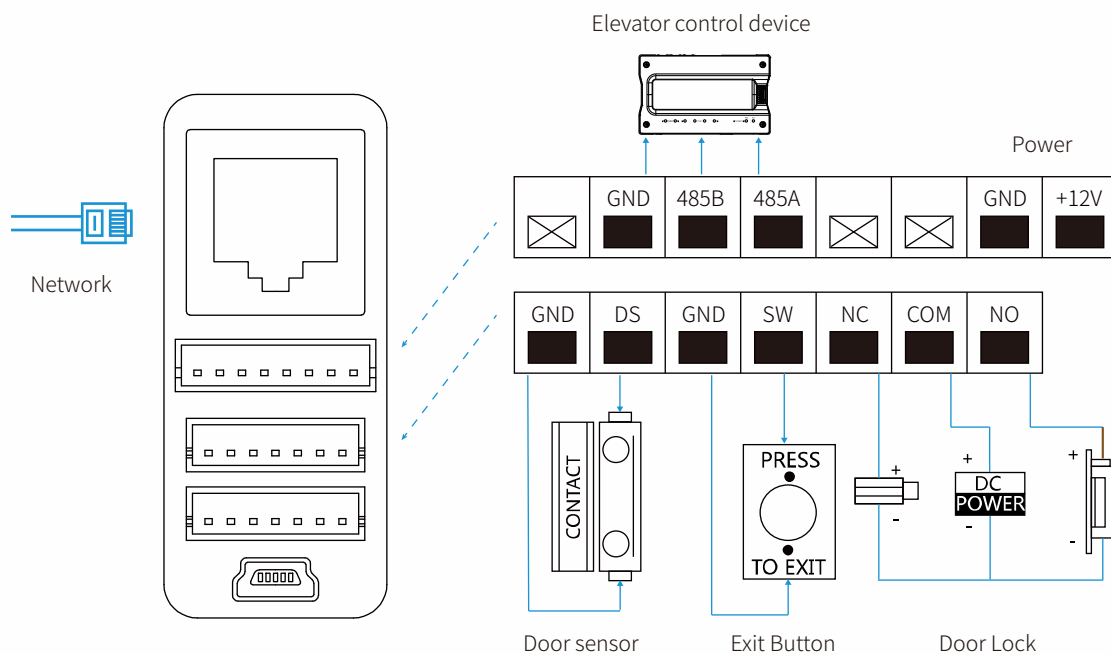
- A. Lock the wall-mounting box on a Type86 bottom box with two M4×15 screws.
- B. Lock the wall-mounting box on wall with four M4×15 screws.
- C. Pull cables through the wall-mounting box and waterproof cover, then connect them to corresponding interfaces of device. Lock the waterproof cover on device with four R3×6 screws.
- D. Embed the device into wall-mounting box and adjust it until device sides run in alignment with the vertical edges of wall, then lock the device from bottom with two R3×6 screws.

DH-T98 Series Quick Guide



5 | Device Wiring

DEVICE WIRING



• Notes

- Pin NO/COM is connected to the cathode lock
- Pin NC/COM is connected to anode lock or magnetic lock.

DH-T98 Series Quick Guide

6 | Specifications

SPECIFICATIONS

- OS: Android
- Display: 7-inch LCD
- Resolution: 1024×600
- Input power: DC12V / 1.5A
- IP level: IP65
- Front panel: Aluminum
- Working Temperature: -30°C ~ 70°C
- Working Humidity: 10%~95%RH
- Dimension:
 - 316×130×26mm (Device Surface)
 - 307.3×121.9×51mm (Flush Installation)

7 | Configurations

CONFIGURATIONS

• Initial Setup

The system language and the network setting can be selected and configured when the initial booting of device.

• Check IP Address

Enter 9999 in **CALL** menu then enter 3888 to get into the **PROJECT SETTING**. Tap **NETWORK** to check the IP address.

• Set SIP Account

Log into Web configuration portal of device, set up and register SIP accounts in **INTERCOM-ACCOUNT** page. (You can refer to device user manual for more details)

• Set DTMF Code

Select DTMF mode and configure the code in **SYSTEM-RELAY** page of Web configuration portal. (You can refer to device user manual for more details)

8 | Functions

FUNCTIONS

• Make Calls

You can make calls from the device by select contacts or dial call number

• Auto Answer

Incoming calls to T98 will be answered automatically by default.

• Face Unlock

Walk in front of camera, the device can recognize the face and unlock the door if facial image is matched.

• PIN Unlock

Enter the access PIN set in device to unlock the door.

• Card/Keyfob Unlock

Attach the saved access card or keyfob on the card reader area of T98 to unlock the door.

• DTMF Unlock

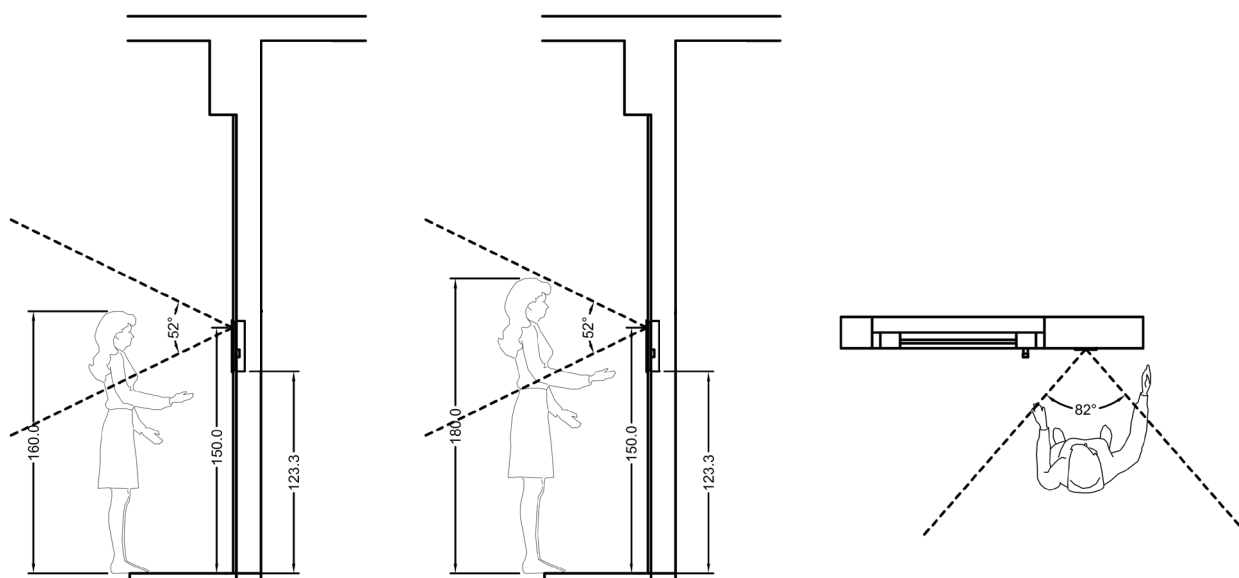
Press the configured DTMF code on keypad of device answering the call, the lock connected on T98 will be unlocked remotely.

9 | Precautions

PRECAUTIONS



- Violent vibration, collision and shock will cause damages to device.
- Intense direct sunlight will seriously affect the device performance and life span.
- Keep the access card/keyfob away from magnet and water. DO NOT fold or bend the card/keyfob.
- The height between camera and ground should be 1.5m (around 4ft 11in) to guarantee the ideal visual angle.



Visual Angle



Notice Information

Information contained in this document is believed to be accurate and reliable at the time of printing. This document is subject to change without notice. The update version of this document can be viewed on NEXhome website: <http://www.nexhome.ai>

©Copyright 2022 NEXhome Ltd. All rights reserved.

Fujian Nexhome Intelligent Technology Co.,Ltd.

Add.: No.33 Xingang Avenue, Shangjie, Minhou, Fuzhou, Fujian, 350108, China

Web: www.nexhome.ai